

iWash®

Electronic Bidet Seat

S-10

Product Features

- Durable polypropylene body
- Self-cleaning, anti-microbial aluminum nozzle
- Rear and front wash spray
- Oscillating spray
- Adjustable water pressure and temperature
- Adjustable nozzle position
- One-touch wash-and-dry cycle
- Warm air dryer
- LED nightlight
- Two power-saving modes

Accessories Included

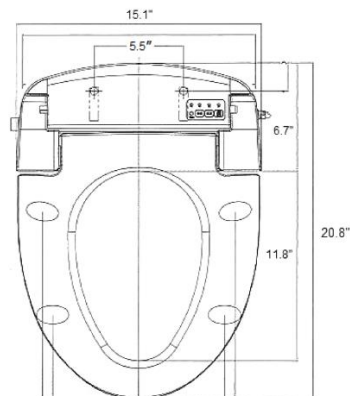
- Soft-close, sittable seat lid
- Metal T-valve
- Mounting plate and top-fixation seat bolt set
- Water supply hose
- Remote control, wall-mount and AA batteries (x2)

Quality Assurance

- Factory tested
- UL Listed
- 3-year limited product warranty




Dimensional Diagram



NOTE: iWash® S-10 may not fit certain bowl designs. Dimensions and specifications are subject to change without notice.

PRODUCT OPTIONS & PARTS

Colors	
	.01 White

Valve & Installation Parts			
Metal T-Valve	Included in box	Water Supply Hose	Included in box
Mounting Plate	Included in box		
Top-Fixation Seat Bolts	Included in box		

Specifications				
Power Supply:	120V~, 60hz	Water Features		
Max. Power Consumption:	1460W	Adjustable Water Flow Rate:	Front wash: Max 0.185 gal/min (0.7 L/min)	
Power Cord:	3.94 ft. (1.2M)		Rear wash: Max 0.185 gal/min (0.7 L/min)	
Water Supply Connection:	Direct connection to water supply	Adjustable Water Temp:	Low: 93.2° F (34°C) Medium: 98.6° F (37° C) High: 104° F (40° C)	
Water Supply Pressure:	14.3psi – 106.6psi (98-735kPa)	Heater Capacity:	1400W	Safety Device: Thermal Fuse, Thermostat
Ambient Temp:	37.4° F (3° C) - 95° F (35° C)	Warm Air Dryer		
Warranty:	3-year limited warranty	Dryer Air Temperature:	122° F (50° C)	
Shipping Dimensions:	23" x 18" x 9"	Heater Capacity:	195W	Safety Device: Thermal Fuse, Bi-metal
Shipping Weight:	9.6 lbs	Heated Seat		
		Adjustable Seat Temp:	Low: 87.8° F (31° C) Medium: 95° F (35° C) High: 100.4° F (40° C)	
		Heater Capacity:	55W	Safety Device: Thermostat

WARNING: It is critical that the power supply and water supply pressure conform to the specifications given above. Excessive supply may result in damage to the product, parts, and/or surrounding property. Do **not** install or use this product if the power or water supply are not within specifications.

Compliance Certifications	
<p><i>Meets or exceeds the following specifications:</i></p> <ul style="list-style-type: none"> UL/cUL listed 	